

CITROËN



NEW CITROËN È-RELAY & RELAY

Prices & Specifications

nothing
moves us
like Citroën

Effective from 1 April 2025 – MY25 (12)

[f](#) [t](#) [i](#) [v](#) FOLLOW US

[✉](#) ENQUIRY

[🚗](#) TEST DRIVE

[➔](#) ENHANCED ONLINE PRICES & SPECS

NEW CITROËN Ę-RELAY & RELAY

Uncompromised comfort



Discover New Citroën Ę-Relay Electric and Citroën Relay, and experience the same robustness and comfort in either electric or diesel, panel van, window van or Relay conversion.

A resolutely modern design expressing dynamism and strength featuring headlights equipped with LED daytime running lights to complete a stylish front end. But it's the remarkable choice of load capacity and body type that sets the New Citroën Relay apart to meet the exact needs of your business.

NEW CITROËN È-RELAY

Model trim

Panel/Window Van

 È-RELAY ELECTRIC



NEW CITROËN RELAY

Model trim

Panel/Window Van

 RELAY DIESEL



NEW CITROËN E-RELAY

Prices

Trim	Length/Height	Vehicle Classification (M1 3500kg GVW N2 4250kg GVW)	ELECTRIC	Maximum indicative payload (kg)	Load space (m ³)	Gross Vehicle Weight (kg)	CO ₂ g/km*	LCDV Codes	Basic MRRP†	OTR RRP before PiVG ex VAT	OTR RRP after PiVG ex VAT
Panel Van Enterprise	L3H2	N1	ë-Relay Panel Van L3H2 35 110kWh Enterprise	710	13	3500	0	2CXE5LHYAFU0A012	£49,485	£50,959.17	£45,959.17
	L3H2	N2	ë-Relay Panel Van L3H2 40 110kWh Enterprise	1460	13	4250	0	2CXE5MHYAFU0A012	£50,295	£51,595.17	£46,595.17
	L3H3	N2	ë-Relay Panel Van L3H3 40 110kWh Enterprise	1435	15	4250	0	2CXE5PHYAFU0A012	£51,105	£52,405.17	£47,405.17
	L4H2	N2	ë-Relay Panel Van L4H2 40 110kWh Enterprise	1415	15	4250	0	2CXE7MHYAFU0A012	£51,105	£52,405.17	£47,405.17
	L4H3	N2	ë-Relay Panel Van L4H3 40 110kWh Enterprise	1385	17	4250	0	2CXE7PHYAFU0A012	£51,915	£53,215.17	£48,215.17
Window Van Enterprise	L4H2	N2	ë-Relay Window Van L4H2 40 110kWh Enterprise	1415	15	4250	0	2CXE7YHYAFU0A012	£51,555	£52,855.17	£47,855.17
Chassis Cab Enterprise**	L3H1	N2	ë-Relay Chassis Cab L3H1 40 110kWh Enterprise	1770	-	4250	0	2CXE6HHYAFU0A012	£47,865	£49,165.17	£44,165.17

IMPORTANT NOTE RE: CONVERSIONS

Any vehicle ordered (including panel vans) for a conversion that changes the base vehicle type approval must be aligned to a Stellantis Certified Converter within Convertool by entering the associated vehicle order number. Please note that if the vehicle order number is not inputted into Convertool then the order/s will be cancelled.

It is also important that you discuss your conversion project with the converter before ordering the base vehicle.

<https://convertool.stellantis.com/>



Category N1: Vehicles designed and constructed for the carriage of goods and having a maximum mass not exceeding 3.5 tonnes.

Category N2: Vehicles designed and constructed for the carriage of goods and having a maximum mass exceeding 3.5 tonnes but not exceeding 12 tonnes.

Specific differences, all N2 vehicles are legally required to be speed limited at 56mph, and have a tachograph

All information and prices correct at time of publication, but are subject to change at any time without prior notice (which may occur as a result of matters including, but not limited to, any changes in legislation and/or any changes by the government). Please see our Prices and Specifications brochures or contact your local Citroën Retailer for the most up-to-date prices and specification details for all models. CO₂ figures above are for a standard vehicle without any additional optional equipment. The addition of optional extras could increase the certified CO₂ emission output.

* WLTP figures shown are for comparison purposes and should only be compared to the fuel consumption and CO₂ values of other vans tested to the same technical standard. The fuel consumption achieved, and CO₂ produced, in real world conditions will depend upon a number of factors including, but not limited to: the accessories fitted (pre and post registration); variations in weather; driving styles and vehicle load. The WLTP (Worldwide Harmonised Light Vehicles Test Procedure) is used to measure fuel consumption and CO₂ figures.

† All Manufacturer's Recommended Basic Prices are exclusive of V.A.T., Delivery to Retailer and Number Plates, Government First Registration Fee and Vehicle Excise Duty.

^ The Government PiVG is worked out at 35% of the Base Vehicle Price (incl. VAT) and including any discounts applied up to a maximum of £5,000.

Legal notice ELECTRIC VEHICLES:

As all e-Relay are homologated as Heavy and are not subject to WLTP testing, the range and electric consumption figures mentioned are calculated using WLTP Test Procedure methodology, on which the basis of all new Light Commercial or Passenger vehicles up to a GVW of 3500kgs are type approved, from 1 September 2018.

The figures may vary depending on actual conditions of use and on differing factors such as: speed, thermal comfort on board the vehicle, driving style and outside temperature. The charging time depends in particular; on the power of the charger on board the vehicle, the charging cable and the type of cable used.

Please contact your dealer or refer to www.citroen.co.uk for further information.

** Currently there is no PiVG approval for Chassis Cab Electric variants - This version is for large fleet orders only

NEW CITROËN RELAY

Prices

Trim	Length/Height	Vehicle Classification (N1 3500kg GVW N2 4250kg GVW)	DIESEL	Maximum indicative payload (kg)	Load space (m ³)	Gross Vehicle Weight (kg)	WLTP CO ₂ g/km*	LCDV Code	Basic MRRP†	OTR RRP ex VAT
Panel Van Enterprise - Light	L2H1	N1	Relay Panel Van L2H1 35 BlueHDi 140 S&S 6-speed Manual Enterprise	1500	10	3500	169-240	2CXE3FHOKKU0A012	£31,105	£32,579.17
	L2H2	N1	Relay Panel Van L2H2 35 BlueHDi 140 S&S 6-speed Manual Enterprise	1475	11.5	3500	169-240	2CXE3KHOKKU0A012	£31,915	£33,389.17
	L2H2	N1	Relay Panel Van L2H2 35 BlueHDi 140 S&S EAT8 Auto Enterprise	1415	11.5	3500	183-320	2CXE3KHOK1U0A012	£34,015	£35,489.17
	L3H2	N1	Relay Panel Van L3H2 35 BlueHDi 140 S&S 6-speed Manual Enterprise	1425	13	3500	169-240	2CXE5KHOKKU0A012	£32,725	£34,199.17
	L3H2	N1	Relay Panel Van L3H2 35 BlueHDi 140 S&S EAT8 Auto Enterprise	1365	13	3500	183-320	2CXE5KHOK1U0A012	£34,825	£36,299.17
	L3H3	N1	Relay Panel Van L3H3 35 BlueHDi 140 S&S 6-speed Manual Enterprise	1400	15	3500	169-240	2CXE5NHOKKU0A012	£33,535	£35,009.17
Panel Van Enterprise - Heavy	L3H2	N1	Relay Panel Van L3H2 35 Heavy BlueHDi 140 S&S 6-speed Manual Enterprise	1310	13	3500	169-244	2CXE5LHOKKU0A012	£33,175	£34,649.17
	L4H2	N1	Relay Panel Van L4H2 35 Heavy BlueHDi 140 S&S 6-speed Manual Enterprise	1265	15	3500	169-244	2CXE7LHOKKU0A012	£33,985	£35,459.17
	L4H3	N1	Relay Panel Van L4H3 35 Heavy BlueHDi 140 S&S 6-speed Manual Enterprise	1235	17	3500	169-244	2CXE7OHOKKU0A012	£34,795	£36,269.17
	L4H2	N2	Relay Panel Van L4H2 40 Heavy BlueHDi 180 S&S EAT8 Auto Enterprise	2030	15	4250	199-355	2CXE7MHOR1U0A012	£38,295	£39,595.17
Window Van Enterprise	L3H2	N1	Relay Window Van L3H2 35 BlueHDi 140 S&S 6-speed Manual Enterprise	1425	13	3500	169-240	2CXE5WHOKKU0A012	£33,175	£34,649.17
	L4H2	N2	Relay Window Van L4H2 40 Heavy BlueHDi 140 S&S 6-speed Manual Enterprise	2050	15	4250	169-244	2CXE7YHOKKU0A012	£35,245	£36,545.17
	L4H2	N2	Relay Window Van L4H2 40 Heavy BlueHDi 180 S&S 8-speed EAT8 Auto Enterprise	2115	15	4250	201-348	2CXE7YHOR1U0A012	£38,745	£40,045.17
Chassis Cab Enterprise	L2H1	N1	Relay Chassis Cab L2H1 35 BlueHDi 140 S&S 6-speed Manual Enterprise	1735	-	3500	177-310	2CXE4FHOKKU0A012	£29,755	£31,229.17
	L3H1	N1	Relay Chassis Cab L3H1 35 BlueHDi 140 S&S 6-speed Manual Enterprise	1715	-	3500	177-310	2CXE6FHOKKU0A012	£30,295	£31,769.17
	L3H1	N1	Relay Chassis Cab L3H1 35 BlueHDi 140 S&S 8-speed EAT8 Auto Enterprise	1655	-	3500	177-310	2CXE6FHOK1U0A012	£32,395	£33,869.17
	L2H1	N1	Relay Chassis Cab L2H1 35 Heavy BlueHDi 140 S&S 6-speed Manual Enterprise	1695	-	3500	177-310	2CXE4GHOKKU0A012	£30,205	£31,679.17
	L3H1	N1	Relay Chassis Cab L3H1 35 Heavy BlueHDi 140 S&S 6-speed Manual Enterprise	1675	-	3500	177-310	2CXE6GHOKKU0A012	£30,745	£32,219.17
Chassis Crew Cab Enterprise	L3H1	N1	Relay Chassis Crew Cab L3H1 35 Heavy BlueHDi 140 S&S 6-speed Manual Enterprise	1460	-	3500	177-310	2CXE6YHOKKU0A012	£32,095	£33,569.17
Floor Cab Enterprise	L3H1	N1	Relay Floor Cab L3H1 35 BlueHDi 140 S&S 6-speed Manual Enterprise	1740	-	3500	177-310	2CXE6QHOKKU0A012	£30,295	£31,769.17
	L3H1	N1	Relay Floor Cab L3H1 35 Heavy BlueHDi 140 S&S 6-speed Manual Enterprise	1700	-	3500	177-310	2CXE6RHOKKU0A010	£30,745	£32,219.17
Dropside Enterprise	L3H1	N1	Relay Dropside L3H1 35 BlueHDi 140 S&S 6-speed Manual Enterprise	1475		3500	169-306	2CXE6FHOKKU0GA12	£32,995	£34,469.17
	L4H1	N1	Relay Dropside L4H1 35 Heavy BlueHDi 140 S&S 6-speed Manual Enterprise	1475		3500	169-306	2CXE8GHOKKU0GA12	£33,715	£35,189.17
Dropside Crew Cab	L3H1	N1	Relay Dropside Crew Cab L3H1 35 Heavy BlueHDi 140 S&S 6-speed Manual Enterprise	1290		3500	169-306	2CXE6YHOKKU0GA12	£34,795	£36,269.17
Tipper Enterprise	L2H1	N1	Relay Tipper L2H1 35 Heavy BlueHDi 140 S&S 6-speed Manual Enterprise	1145		3500	169-306	2CXE4GHOKKU0BQ12	£36,685	£38,159.17

IMPORTANT NOTE RE: CONVERSIONS

Any vehicle ordered (including panel vans) for a conversion that changes the base vehicle type approval must be aligned to a Stellantis Certified Converter within Convertool by entering the associated vehicle order number. Please note that if the vehicle order number is not inputted into Convertool then the order/s will be cancelled.

It is also important that you discuss your conversion project with the converter before ordering the base vehicle.

<https://convertool.stellantis.com/>



All information and prices correct at time of publication, but are subject to change at any time without prior notice (which may occur as a result of matters including, but not limited to, any changes in legislation and/or any changes by the government). Please see our Prices and Specifications brochures or contact your local Citroën Retailer for the most up-to-date prices and specification details for all models. CO₂ figures above are for a standard vehicle without any additional optional equipment. The addition of optional extras could increase the certified CO₂ emission output.

* WLTP figures shown are for comparison purposes and should only be compared to the fuel consumption and CO₂ values of other vans tested to the same technical standard. The fuel consumption achieved, and CO₂ produced, in real world conditions will depend upon a number of factors including, but not limited to: the accessories fitted (pre and post registration); variations in weather; driving styles and vehicle load. The WLTP (Worldwide Harmonised Light Vehicles Test Procedure) is used to measure fuel consumption and CO₂ figures.

† All Manufacturer's Recommended Basic Prices are exclusive of V.A.T., Delivery to Retailer and Number Plates, Government First Registration Fee and Vehicle Excise Duty.

Equipment

- Standard equipment
- Cost option
- Not available

	Panel Van Electric	Panel Van	Window Van Electric	Window Van	Chassis Cab Electric	Chassis Cab	Chassis Crew Cab	Floor Cab	Dropside	Tipper
--	--------------------	-----------	---------------------	------------	----------------------	-------------	------------------	-----------	----------	--------

Comfort and convenience	Panel Van Electric	Panel Van	Window Van Electric	Window Van	Chassis Cab Electric	Chassis Cab	Chassis Crew Cab	Floor Cab	Dropside	Tipper
Manual air-conditioning for cab area, including glovebox	-	•	-	•	-	•	•	•	•	•
Automatic air-conditioning for cab area, including glovebox	•	-	•	-	•	-	-	-	-	-
Rear parking sensors	•	•	•	•	-	-	-	-	-	-
Electric front windows	•	•	•	•	•	•	•	•	•	•
Twin lens door mirrors with electrically adjustable and heated upper mirror	•	•	•	•	•	•	•	•	•	•
Cruise control with variable speed limiter <small>(Not available on Relay 40 and electric versions)</small>	-	•	-	•	-	•	•	•	•	•
Two cup holders and mobile phone storage in centre of lower dashboard	•	•	•	•	•	•	•	•	•	•
Electric Parking Brake	•	◦	•	◦	•	◦	◦	◦	-	-
Electric Power Steering	•	•	•	•	•	•	•	•	-	-

Seating	Panel Van Electric	Panel Van	Window Van Electric	Window Van	Chassis Cab Electric	Chassis Cab	Chassis Crew Cab	Floor Cab	Dropside	Tipper
Mid level fabric upholstery	•	◦	•	◦	•	◦	◦	◦	•	•
6-way Driver's seat with Lumbar & Armrest	•	•	•	•	•	•	•	•	•	•
Dual Passenger bench seat	•	•	•	•	•	•	•	•	•	•

Technology and entertainment	Panel Van Electric	Panel Van	Window Van Electric	Window Van	Chassis Cab Electric	Chassis Cab	Chassis Crew Cab	Floor Cab	Dropside	Tipper
5" DAB Radio Bluetooth® USB	-	•	-	•	-	•	•	•	•	•
7" DAB Radio Bluetooth® USB	•	-	•	-	•	-	-	-	-	-
7" Digital Cluster	•	-	•	-	•	-	-	-	-	-
Global Telematics Box	•	•	•	•	•	•	•	•	•	•
Connected Services	•	•	•	•	•	•	•	•	•	•

Exterior Features	Panel Van Electric	Panel Van	Window Van Electric	Window Van	Chassis Cab Electric	Chassis Cab	Chassis Crew Cab	Floor Cab	Dropside	Tipper
Side protection strips	•	•	•	•	-	-	-	-	-	-
Steel wheels with centre cap	•	•	•	•	•	•	•	•	•	•

	Panel Van Electric	Panel Van	Window Van Electric	Window Van	Chassis Cab Electric	Chassis Cab	Chassis Crew Cab	Floor Cab	Dropside	Tipper
--	--------------------	-----------	---------------------	------------	----------------------	-------------	------------------	-----------	----------	--------

Exterior Features	Panel Van Electric	Panel Van	Window Van Electric	Window Van	Chassis Cab Electric	Chassis Cab	Chassis Crew Cab	Floor Cab	Dropside	Tipper
Twin unglazed rear doors (opening to 180°)	•	•	-	-	-	-	-	-	-	-
Twin glazed rear doors with heated windows (opening to 180°)	-	-	•	•	-	-	-	-	-	-
Nearside sliding side loading door	•	•	•	•	-	-	-	-	-	-
Glazing to row 2, 3 and nearside sliding side loading door	-	-	•	•	-	-	-	-	-	-
Aerodynamic kit: Central Spoiler, Air Guides and Active Grille Shutter	•	•	•	•	•	•	•	•	•	•

Safety and security	Panel Van Electric	Panel Van	Window Van Electric	Window Van	Chassis Cab Electric	Chassis Cab	Chassis Crew Cab	Floor Cab	Dropside	Tipper
Full steel bulkhead	•	•	•	•	-	-	-	-	-	-
Electronic Stability Control (ESC)	•	•	•	•	•	•	•	•	•	•
Driver's airbag	•	•	•	•	•	•	•	•	•	•
Double passenger airbag	•	•	•	•	•	•	•	•	•	•
Perimetric alarm and deadlocks	•	•	•	•	•	•	•	•	•	•
Fix and go kit	•	•	•	•	•	•	•	•	•	•
Rear visibility camera	◦	◦	◦	◦	◦	•	•	◦	•	•
Tyre Pressure Monitoring System (TPMS)	•	•	•	•	•	•	•	•	•	•
Advanced Emergency Braking System (AEBS) - Pedestrian and Cyclist	•	•	•	•	•	•	•	•	•	•
Lane Support System	•	•	•	•	•	•	•	•	•	•
Traffic Sign Recognition	•	•	•	•	•	•	•	•	•	•
Driver Drowsiness Detection	•	•	•	•	•	•	•	•	•	•
Intelligent Speed Assist	•	•	•	•	•	•	•	•	•	•

Conversions	Panel Van Electric	Panel Van	Window Van Electric	Window Van	Chassis Cab Electric	Chassis Cab	Chassis Crew Cab	Floor Cab	Dropside	Tipper
Electrical interface supply socket	-	-	-	-	•	•	•	•	•	•
Special order electrics - loom extension	-	-	-	-	•	•	•	•	-	-
Exclusion of the rear cab bulkhead	-	-	-	-	-	-	-	•	-	-

Apple CarPlay is a trademark of Apple Inc. Apple and iPhone are trademarks of Apple Inc., registered in the US and other countries. Android is a trademark of Google Inc., also registered in the US and other countries.

NEW CITROËN E-RELAY & RELAY

All Manufacturer's Recommended Basic Prices are exclusive of VAT.

Options

• Standard equipment

- Not available

		Panel Van Electric	Panel Van	Window Van Electric	Window Van	Chassis Cab	Chassis Crew Cab	Floor Cab	Dropside	Tipper	Linked Options	Incompatible Options
Doors and windows												
Option Code												
Glazed sliding side door	PC10 ⁷	£230	£230	•	•	-	-	-	-	-	-	VD10
2nd sliding side door (unglazed)	PC12	£410	£410	-	-	-	-	-	-	-	-	VD10
2nd sliding side door (glazed)	PC13	£640	£640	£640	£640	-	-	-	-	-	-	VD10
Sliding Glass in Sliding Doors	VG02	-	-	£320	£320	-	-	-	-	-	-	
Privacy side windows	VD10 ⁷	-	£270	-	£270	-	-	-	-	-	PC10 VC02 J101	PB04
270 degree opening rear doors	LL02	£270	£270	£270	£270	-	-	-	-	-	-	
Wheels, tyres and suspension												
Option Code												
Double Leaf Rear Suspension	SE08 ^{1,2}	-	-	-	-	£110	£110	£110	£110	•	-	
Full wheel hub caps	ZIAT/ ZIAV	-	£90	-	£90	£90 ¹	£90	£90	£90	£90	-	
Spare wheel	RS03	£180	£180	£180	£180	£180	£180	£180	£180	£180	-	
Interior												
Option Code												
Smart tachograph	HC09 ²	£630	£630	£630	£630	£630	£630	£630	£630	£630	-	
Glazed bulkhead	PX09	£140	£140	-	-	-	-	-	-	-	-	
Front side air bags and window air bags	NF04	£540	£540	£540	£540	£540	-	-	£540	£540	WM08 J6LR NN01 BUFV	
Additional Plip key with remote control	JA17	£50	£50	£50	£50	£50	£50	£50	£50	£50	YD01 J6LR J6UV J6UX	
Rearview Camera	QK13	£200	£200	£200	£200	•	•	-	•	•	-	
Exterior												
Option Code												
Fixed towing hook	AQ03 ¹	-	£500	-	£500	£500	£500	£500	£500	£500	•	
Archwheel mouldings	XX01 ⁹	-	-	-	-	£65	•	-	-	-	£65	

1 Available on Diesel versions only

2 Standard on N2 versions

3 Available on N1 versions only

4 Available on Automatic versions only

5 Available on N2 versions only

6 Not available with special paint, Alloy availability exclusive to this pack

7 Not available on L2H1 versions

8 Standard on Electric versions

9 Available on N1 Heavy Diesel versions only

		Panel Van Electric	Panel Van	Window Van Electric	Window Van	Chassis Cab	Chassis Crew Cab	Floor Cab	Dropside	Tipper	Linked Options	Incompatible Options
Conversions and fleet only												
Option Code												
External rear-view mirrors for body size kit 2.35 m	RX05	-	-	-	-	£140	£140	-	•	•	-	
Single Passenger Seat inc. Armrest and Lumbar Adjustment, Passenger airbag	WM08	£50	£50	£50	£50	£50	£50	£50	£50	£50	-	
Loose Rear Lights	SY05	-	-	-	-	£100	£100	-	-	-	-	
Oversized rear suspensions	SE16 ^{1,3}	-	-	-	-	£270	£270	£270	-	-	-	SE08
Twin Glazed Rear Doors (windows fixed & heated)	PB04 ⁷	£230	£230	•	•	-	-	-	-	-	J101	
Speed limiter (56 mph)	SB13 ²	£0	£0	£0	£0	£0	£0	£0	£0	£0	-	SB14
Speed limiter (62 mph)	SB14 ¹	-	£0	-	£0	-	-	-	-	-	-	SB13
Exclusion speed limiter	SB15 ⁵	-	-	£0	£0	-	-	-	-	-	-	HC08
Smart tachograph exclusion	HC08 ⁵	£0	£0	£0	£0	-	-	-	-	-	-	SB15
Special Order Electrics - Loom extension	KY06	-	-	-	-	£50	£50	-	-	-	-	
Remove bulkhead*	PX23	£0	£150	£0	£150	-	-	-	-	-	-	J6LR
DAB radio antenna integrated in right external mirror	AT22	£130	£130	£130	£130	£130	£130	£130	£130	£130	-	
Work Packs												
Option Code												
Worksite Heavy Pack: Traction Plus, M&S All-season 3PMSF Tyres, Double leaf rear suspension, Spare wheel winch, Spare wheel, Wheelarch moulding	J6LK ⁹	£770	-	-	-	-	-	-	-	-	-	J6VU J6VV
Conversion Pack: Transformation socket, 220A alternator, 105Ah battery	J101 ¹	-	£230	-	•	•	•	•	•	•	-	

*On Diesel versions this brings in FC05 Electric Handbrake and Premium fabric trim. On Electric versions upgraded trim and FC05 are already standard so there is no charge for omission of bulkhead.

NEW CITROËN E-RELAY & RELAY

All Manufacturer's Recommended Basic Prices are exclusive of VAT.

Option Packs

- Standard equipment
- Not available

		Panel Van Electric	Panel Van	Window Van Electric	Window Van	Chassis Cab	Chassis Crew Cab	Floor Cab	Dropside	Tipper	Linked Options	Incompatible Options
Technology Packs												
Techno Pack: 10" radio NAV AA/CP, Automatic climate control, Double USB charging port (x1 A Type & x1 C Type) Leather Steering Wheel, Chromed Effect Airvents	J6LL	£800	-	£800	-	-	-	-	-	-		
Techno Plus Pack: 10" radio NAV AA/CP, Automatic climate control, Double USB charging port (x1 A Type & x1 C Type), Connected services, Wireless charger, Full digital cockpit	J6MA ¹	-	£1,490	-	£1,490	£1,490	£1,490	£1,490	£1,490	£1,490		
Premium Techno Pack: Techno Pack, Rearview Camera, Keyless Entry & Go, Wireless charger	J6L1	£1,500	-	£1,500	-	-	-	-	-	-		
Handsfree Pack: Keyless Entry and Go, Electric parking brake, 230V Socket	J6LR ¹	-	£450	-	£450	£450	£450	£450	£450	-	BUFX	
Handsfree & Camera Pack - EV only: Rearview Camera, Keyless Entry & Go, Wireless Charger, Double USB Charging Port (x1 A Type & x1 C Type)	J6LI	£690	-	£690	-	-	-	-	-	-		

		Panel Van Electric	Panel Van	Window Van Electric	Window Van	Chassis Cab	Chassis Crew Cab	Floor Cab	Dropside	Tipper	Linked Options	Incompatible Options
Style Packs												
Premium Cab Pack: Rearview camera, Chromed effect airvents, Leather steering wheel, Compartment under drivers seat	BUFX	•	£350	•	£350	-	-	-	-	-	NN01	
City & Visibility Pack: Blind Spot Assist and Rear Cross Path Detection, Electric folding wing mirrors, 360 Perimeter Parking Sensors, Digital Rearview Mirror Rain and Dusk Sensors plus High Beam Recognition, Fog Lights with Cornering Function, Full LED Headlamps	J6W3 (N1) J6W4 (N2)	£1,800	£1,800	£1,800	£1,800	-	-	-	-	-		
Style & Visibility Pack (N1 Light Manual): Painted Front Bumpers, Black Skid Plates, 16" Alloy Diamond Black Wheels, Rain & Dusk Sensors and High Beam Recognition, Fog Lights with Cornering Function, Full LED Headlamps	J6VU ¹	-	£1,350	-	£1,350	£1,350	-	£1,350	-	-		
Style & Visibility Pack (N1 Heavy and/or Auto): Painted Front Bumpers, Black Skid Plates, 16" Alloy Diamond Black Wheels, Rain & Dusk Sensors and High Beam Recognition, Fog Lights with Cornering Function, Full LED Headlamps	J6VV ¹	-	£1,350	-	£1,350	£1,350	-	£1,350	-	-		
Visibility Plus Pack: Rain and Dusk Sensors plus High Beam Recognition, Fog Lights with Cornering Function, Full LED Headlamps	J6MV	-	-	-	-	-	-	£680	£680			

¹ Available on Diesel versions only

² Standard on N2 versions

³ Available on N1 versions only

⁴ Available on Automatic versions only

⁵ Available on N2 versions only

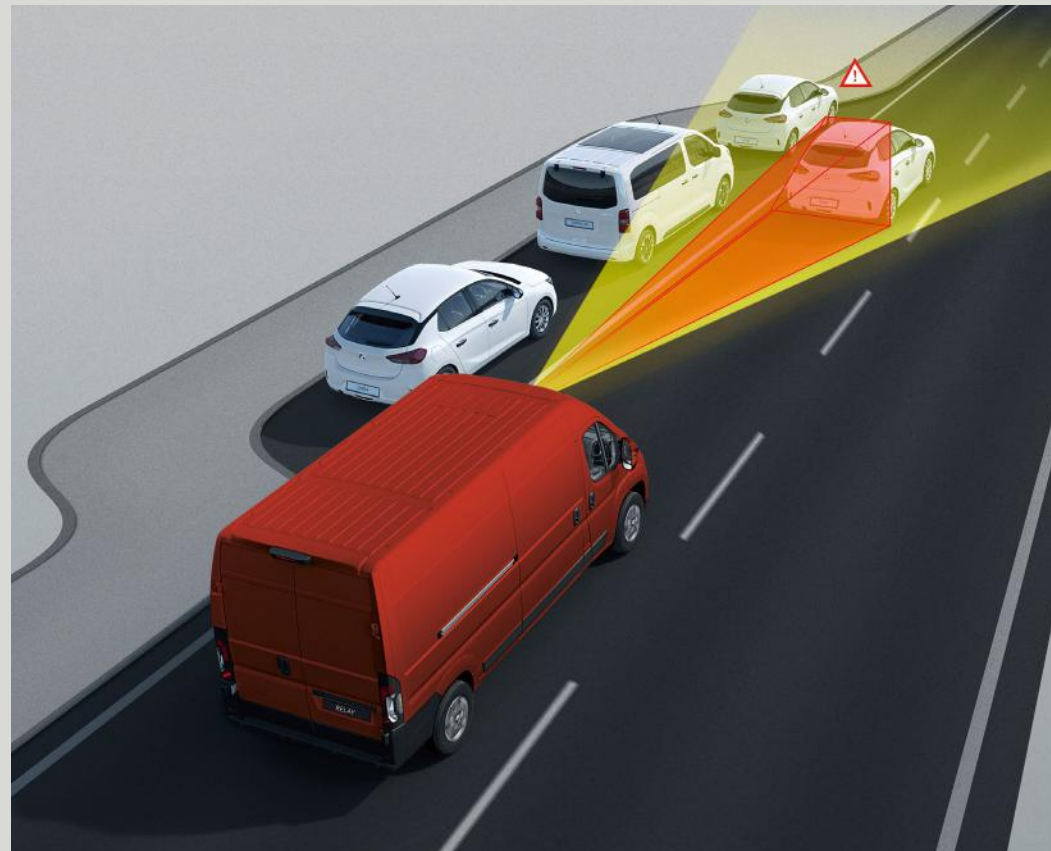
⁶ Not available with special paint, Alloy availability exclusive to this pack

⁷ Not available on L2H1 versions

⁸ Standard on Electric versions

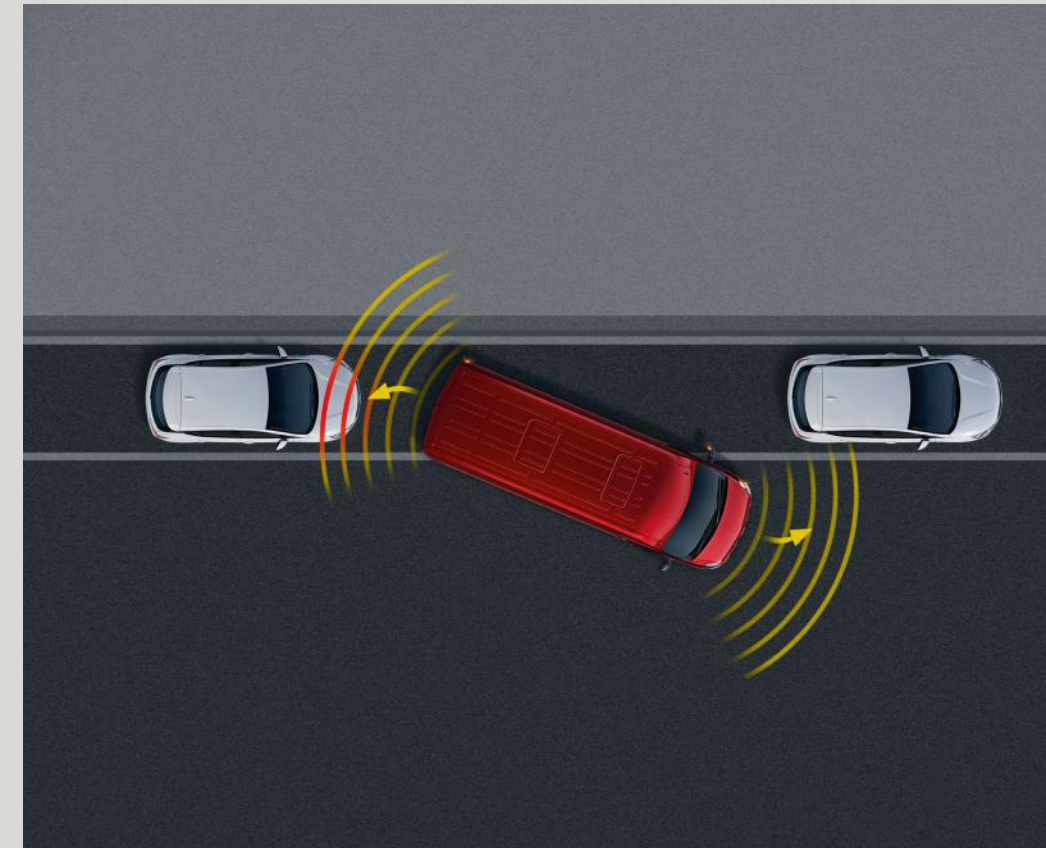
⁹ Available on N1 Heavy Diesel versions only

Safety Features



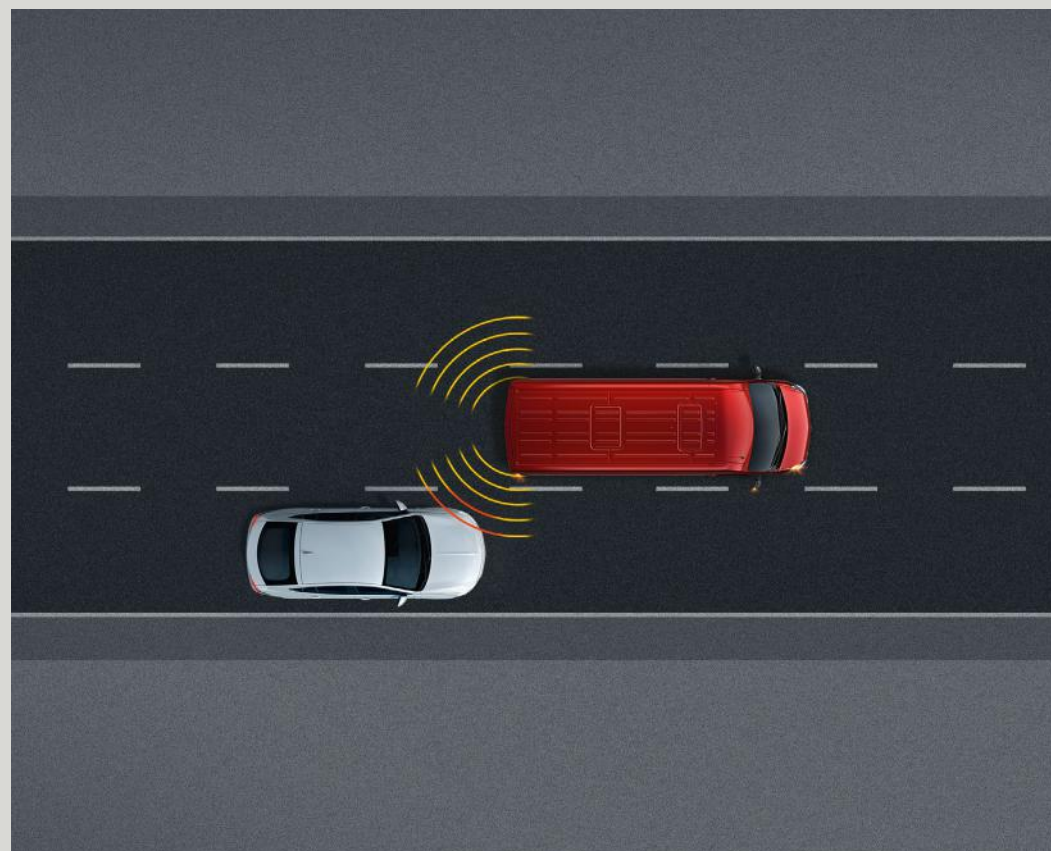
Advanced Emergency Braking System (AEBS)

This system alerts the driver of a potential collision through a combination of visual and then audible warnings. Should the driver fail to react, autonomous emergency braking is triggered to help mitigate/avoid the impact by reducing the speed of the vehicle. AEBS provides additional assistance to optimise braking performance while a dynamic brake support function boosts pressure to help further minimise stopping distances.



360° Perimeter Parking Sensors*

The 360° Perimeter Parking Sensors alert the driver both acoustically, and visually when the vehicle is approaching obstacles or going through tight spaces. Depending on vehicle length there are either 14, or 16 sensors surrounding the vehicle. These are located on the front and rear bumpers and also within the side mouldings. Visual warning is displayed on the cluster screen by the vehicle shape surrounded by three proximity bands, showing the vehicle distance from obstacles, while the acoustic (beep) warning increases in frequency as the obstacle comes nearer, becoming a continuous beep as the obstacle distance is lower than 30 centimeters.



Blind Spot Information System (BSIS)**

Audio and visual warnings will alert the driver in case the vehicle approaches an obstacle or has to go through narrow spaces. The audible warning will keep beeping with increased intensity as the obstacle is nearing and will decrease as soon as the obstacle is out of reach.

Moving Off Information System (MOIS)**

The Moving off Information System and Blind Spot Information Systems works together in order to allow the recognition of side obstacles inside the blind side area opposite to driver's position. Driver is alerted by a visual warning on cluster and the mirrors, when approaching obstacles located into the blind lateral area.



Digital Rearview Camera*

The digital rearview camera comes as a further help when driving and parking vans. The central 8,9" LCD high-resolution display provides an unobstructed and ultra-clear view of the road behind, thanks to a wide-angle, high-definition camera located inside the rear third stop lamp. Ability to function both as a digital LCD display or a standard optical rearview mirror. Auto-dimming, activation and brightness control by buttons located on mirror.

Note: Citroen driver assistance systems are intended to support the driver within the system-imminent limitations. The driver remains responsible for the driving task at all times.

*Option available at additional cost

** Standard on on N2 models

Relay also includes a fleet management service offer...



Preventative Maintenance

For 4 Years for Customers managed
by DEALERS
(B2C & SME)

The Preventative Maintenance Service via Free2Move is designed to help monitor and optimize the health of commercial vehicle fleets, offering support through live alerts and upcoming maintenance reports. This makes it easier for fleet managers to keep their vehicles in good working condition, saving time and money.

- Fleet Dashboard View
- Maintenance Tracking
- Report via Email
- Vehicle Health Alerts
- Van Maintenance Appointment

Customers can upgrade (via subscription) to Connect Fleet. This management platform is a full version opening up a broader spectrum of possibilities. With Connect Fleet customers can optimise the use of their vehicles by gaining access to consumption reports, mechanical alerts, eco driving and driving behaviour reports and vehicle geolocation in the event of theft in real time.

For more details [click here](#)

For contact [click here](#)

4 YEARS TRANSFERABLE

OR



Fleet Management Data Pack

For 4 Years for customers managed
by NSC KMAs
(Major Fleets, RAC & Leasing)

Natively embedded telematics data via MyCitroen is already included in vehicle purchase for eligible vehicles. This enables a multitude of fleet management use cases to boost fleet efficiency, safety and sustainability, including:

- Fuel Management,
- Vehicle Health Monitoring & Maintenance Management,
- Route Optimization,
- Driver Monitoring,
- EV Charging Management

Benefits for Fleet Customers

- Compatible with any Fleet Management Service Provider
- No expenses for aftermarket device, no additional data costs for customer
- No downtime for installation
- Seamless, immediate and zero-touch activation, rapid deployment at scale
- As telematics system is fully integrated in vehicle, data source is primary and will not be a third party approximation.

For more details [click here](#)

For contact [click here](#)

4 YEARS NON-TRANSFERABLE

Colours and wheels

Body colours

Icy White (F) POPR	Expedition Grey (F) P04K £800+VAT
Thunder Grey (F) P04K £800+VAT	Cumulus Grey (M) M0F4 £800+VAT
Graphito Grey (M) M0E9 £800+VAT	Iron Grey (M) M0ZW £800+VAT

(F) Flat
(M) Metallic

Option availability varies according to version/engine/trim level.
Some options are only available as part of a pack.
Please refer to the options page for further information.

Wheels



15 inch steel wheels

Standard on 35 panel diesel vans.



16 inch steel wheels

Standard on heavy, automatic and electric vans.



15 inch wheel trim

Optional on 35 panel diesel vans.



16 inch wheel trim

Optional on heavy and automatic vans.



16 inch alloy wheels

Optional

NEW CITROËN È-RELAY & RELAY

Interior

Interior ambience



Model shown: È-Relay.

'Crepe' Black, Single stitches, Fabric headrest
BTFX

Standard on Diesel versions.

Technical

Electric

110kWh Battery																																				
Battery	Lithium-ion 110kWh Gross [97.8kWh Net]																																			
Max Torque CEE (Nm)	410																																			
Max power CEE - kW (PS)	205 (279)																																			
Battery Capacity (ah)	95																																			
Operating voltage (V)	400																																			
Number of cells	180																																			
Servicing	Every 1 Year or 16,000 miles whichever comes first																																			
Charging time																																				
Single Phase 32A Wallbox (7.4kW) 0-100%	16 hours 40 minutes																																			
Three Phase 16A Wallbox (11kW) 0-100%	11 hours 45 minutes																																			
Rapid (DC) Charging (150 kW) 0 -80%	55 minutes																																			
Transmission	Automatic																																			
Further information																																				
Suspension	Front: Pseudo-Macpherson type with lower wishbone struts, coil springs, telescopic hydraulic dampers and anti-roll bar Rear: Longitudinal leaf springs with telescopic hydraulic dampers (reinforced twin leaf on Relay 4.0 tonne GVW versions)																																			
Brakes front/ rear	Ventilated discs / discs																																			
	<table border="1"> <thead> <tr> <th></th> <th>110kWh 35 Variants</th> <th colspan="5">110kWh 40 Variants</th> </tr> <tr> <th>Performance</th> <th>L3H2</th> <th>L3H2</th> <th>L3H3</th> <th>L4H2</th> <th>L4H3</th> <th>L3H1 Chassis</th> </tr> </thead> <tbody> <tr> <td>Combined Range (miles)</td> <td>235</td> <td>263</td> <td>254</td> <td>262</td> <td>252</td> <td>-</td> </tr> <tr> <td>Max speed (mph)*</td> <td>81</td> <td>56</td> <td>56</td> <td>56</td> <td>56</td> <td>56</td> </tr> <tr> <td>Acceleration (0-62mph)</td> <td>10 seconds</td> <td>N/A</td> <td>N/A</td> <td>N/A</td> <td>N/A</td> <td>N/A</td> </tr> </tbody> </table>		110kWh 35 Variants	110kWh 40 Variants					Performance	L3H2	L3H2	L3H3	L4H2	L4H3	L3H1 Chassis	Combined Range (miles)	235	263	254	262	252	-	Max speed (mph)*	81	56	56	56	56	56	Acceleration (0-62mph)	10 seconds	N/A	N/A	N/A	N/A	N/A
	110kWh 35 Variants	110kWh 40 Variants																																		
Performance	L3H2	L3H2	L3H3	L4H2	L4H3	L3H1 Chassis																														
Combined Range (miles)	235	263	254	262	252	-																														
Max speed (mph)*	81	56	56	56	56	56																														
Acceleration (0-62mph)	10 seconds	N/A	N/A	N/A	N/A	N/A																														

Diesel

	BlueHDi 140 S&S 6-speed manual	BlueHDi 140 S&S EAT8 Automatic	BlueHDi 180 S&S 6-speed Manual	BlueHDi 180 S&S EAT8 Automatic
Engine				
Capacity (cc)	2184			
Cylinders / Valves	4 / 16			
Max power CEE (kW (PS)/rpm)	103 (140) / 3500	103 (140) / 3500	132 (180) / 3500	132 (180) / 3500
Max torque CEE (Nm (lb/ft)/rpm)	350 (258) / 1400	380 (280) / 1400	380 (280) / 1500	450 (332) / 1500
Bore and stroke (mm)	83.8 bore, 99 stroke			
Fuel system	Diesel - High pressure turbo-charged direct injection			
Euro status	Euro 6.4			
Stop and Start system	•			
Servicing	Every 2 Years or 32,000 miles, whichever comes first			
Transmission				
Gearbox	Manual	Automatic	Manual	Automatic
Number of gears	6	8	6	8
Further information				
Suspension	Front: Pseudo-Macpherson type with lower wishbone struts, coil springs, telescopic hydraulic dampers and anti-roll bar Rear: Longitudinal leaf springs with telescopic hydraulic dampers (reinforced twin leaf on Relay 4.0 tonne GVW versions)			
Fuel tank capacity litres (gallons)	90 (19.8)			
Adblue® tank capacity litres (gallons)	18.6			
Brakes front/ rear	Ventilated discs / discs			



octopus energy

Everything you need to charge

Citroën have partnered with Octopus Energy to provide everything you need for your new Citroën È-Relay, including a tariff, charger and a solution for charging on the go making owning an electric vehicle easier and hassle-free. [Click here for more information.](#)

Legal notice ELECTRIC VEHICLES:

As all e-Relay are homologated as Heavy and are not subject to WLTP testing, the range and electric consumption figures mentioned are calculated using WLTP Test Procedure methodology, on which the basis of all new Light Commercial or Passenger vehicles up to a GVW of 3500kgs are type approved, from 1 September 2018.

The figures may vary depending on actual conditions of use and on differing factors such as: speed, thermal comfort on board the vehicle, driving style and outside temperature. The charging time depends in particular, on the power of the charger on board the vehicle, the charging cable and the type of cable used.

Please contact your dealer or refer to www.citroen.co.uk for further information.

* All N2 vehicles are legally required to be speed limited to 56mph.

BlueHDI vehicles will need regular AdBlue® top-ups between servicing requirements. An indicator integrated into the on-board computer will warn you when you need to top-up.

Electric Range

		WLTP Combined (Calculated)			WLTP City (Calculated)		
		Combined Electric Range (KM)	Combined Electric Range (miles)	Electric Energy Consumption (Wh/km)	City Electric Range (KM)	City Electric Range (miles)	City Electric Energy Consumption (WH/km)
Panel Van Enterprise							
L3H2	ë-Relay Panel Van L3H2 35 110kWh Enterprise	378	235	294	537	334	207
L3H2	ë-Relay Panel Van L3H2 40 110kWh Enterprise	424	263	262	504	313	220
L3H3	ë-Relay Panel Van L3H3 40 110kWh Enterprise	409	254	271	488	303	227
L4H2	ë-Relay Panel Van L4H2 40 110kWh Enterprise	422	262	263	501	311	222
L4H3	ë-Relay Panel Van L4H3 40 110kWh Enterprise	406	252	273	491	305	226
Window Van Enterprise							
L4H2	ë-Relay Window Van L4H2 40 110kWh Enterprise	422	262	263	501	311	222
Chassis Cab Enterprise							
L3H1	ë-Relay Chassis Cab L3H1 40 110kWh Enterprise	N/A*	N/A*	N/A*	N/A*	N/A*	N/A*



octopusenergy

Everything you need to charge

Citroën have partnered with Octopus Energy to provide everything you need for your new Citroën ë-Relay, including a tariff, charger and a solution for charging on the go making owning an electric vehicle easier and hassle-free. [Click here for more information.](#)

As all Relay Electric vans are homologated as Heavy and are not subject to WLTP testing, the range and electric consumption figures mentioned are calculated using WLTP Test Procedure methodology, on which the basis of all new Light Commercial or Passenger vehicles up to a GVW of 3500kgs are type approved, from 1 September 2018. The figures may vary depending

on actual conditions of use and on differing factors such as: speed, thermal comfort on board the vehicle, driving style and outside temperature. The charging time depends in particular; on the power of the charger on board the vehicle, the charging cable and the type of cable used. Please contact your dealer or refer to www.citroen.co.uk for further information.

CO₂ & Fuel Economy

		WLTP CO ₂ Emissions (g/km)**		WLTP Economy Combined Litres/100km		WLTP Economy Combined mpg	
		Vehicle Low	Vehicle High	Vehicle Low	Vehicle High	Vehicle Low	Vehicle High
Panel Van Enterprise - Light							
L2H1	Relay Panel Van L2H1 35 BlueHDi 140 S&S 6-speed Manual Enterprise	169	240	6.4	9.1	44.0	31.0
L2H2	Relay Panel Van L2H2 35 BlueHDi 140 S&S 6-speed Manual Enterprise	169	240	6.4	9.1	44.0	31.0
L2H2	Relay Panel Van L2H2 35 BlueHDi 140 S&S EAT8 Auto Enterprise	183	320	7.0	12.2	40.6	23.2
L3H2	Relay Panel Van L3H2 35 BlueHDi 140 S&S 6-speed Manual Enterprise	169	240	6.4	9.1	44.0	31.0
L3H2	Relay Panel Van L3H2 35 BlueHDi 140 S&S EAT8 Auto Enterprise	183	320	7.0	12.2	40.6	23.2
L3H3	Relay Panel Van L3H3 35 BlueHDi 140 S&S 6-speed Manual Enterprise	169	240	6.4	9.1	44.0	31.0
Panel Van Enterprise - Heavy							
L3H2	Relay Panel Van L3H2 35 Heavy BlueHDi 140 S&S 6-speed Manual Enterprise	169	244	6.4	9.3	44.0	30.4
L4H2	Relay Panel Van L4H2 35 Heavy BlueHDi 140 S&S 6-speed Manual Enterprise	169	244	6.4	9.3	44.0	30.4
L4H3	Relay Panel Van L4H3 35 Heavy BlueHDi 140 S&S 6-speed Manual Enterprise	169	244	6.4	9.3	44.0	30.4
L4H2	Relay Panel Van L4H2 40 Heavy BlueHDi 180 S&S EAT8 Auto Enterprise	199	355	7.6	13.5	37.4	20.9
Window Van Enterprise							
L3H2	Relay Window Van L3H2 35 BlueHDi 140 S&S 6-speed Manual Enterprise	169	240	6.4	11.9	44.0	23.7
L4H2	Relay Window Van L4H2 40 Heavy BlueHDi 140 S&S 6-speed Manual Enterprise	169	244	7.3	11.9	38.8	23.7
L4H2	Relay Window Van L4H2 40 Heavy BlueHDi 180 S&S 8-speed Auto Enterprise	201	348	7.6	13.2	36.9	21.3
Chassis Cab Enterprise							
L2H1	Relay Chassis Cab L2H1 35 BlueHDi 140 S&S 6-speed Manual Enterprise	177	310	6.7	11.8	42.0	24.0
L3H1	Relay Chassis Cab L3H1 35 BlueHDi 140 S&S 6-speed Manual Enterprise	177	310	6.7	11.8	42.0	24.0
L3H1	Relay Chassis Cab L3H1 35 BlueHDi 140 S&S 8-speed Auto Enterprise	177	310	6.7	11.8	42.0	24.0
L2H1	Relay Chassis Cab L2H1 35 Heavy BlueHDi 140 S&S 6-speed Manual Enterprise	177	310	6.7	11.8	42.0	24.0
L3H1	Relay Chassis Cab L3H1 35 Heavy BlueHDi 140 S&S 6-speed Manual Enterprise	177	310	6.7	11.8	42.0	24.0
Chassis Crew Cab Enterprise							
L3H1	Relay Chassis Crew Cab L3H1 35 Heavy BlueHDi 140 S&S 6-speed Manual Enterprise	177	310	6.7	11.8	42.0	24.0
Floor Cab Enterprise							
L3H1	Relay Floor Cab L3H1 35 BlueHDi 140 S&S 6-speed Manual Enterprise	177	310	6.7	11.8	42.0	24.0
L3H1	Relay Floor Cab L3H1 35 Heavy BlueHDi 140 S&S 6-speed Manual Enterprise	177	310	6.7	11.8	42.0	24.0
Dropside Enterprise							
L3H1	Relay Dropside L3H1 35 BlueHdi 140 S&S 6-speed Manual Enterprise	169	306	6.4	11.6	44.0	24.3
L4H1	Relay Dropside L4H1 35 Heavy BlueHdi 140 S&S 6-speed Manual Enterprise	169	306	6.4	11.6	44.0	24.3
Dropside Double Cab Enterprise							
L3H1	Relay Dropside L3H1 35 BlueHdi 140 S&S 6-speed Manual Enterprise	169	306	6.4	11.6	44.0	24.3
Tipper Enterprise							
L2H1	Relay Tipper L2H1 435 BlueHDi 140 S&S 6-speed Manual Professional	169	306	6.4	11.6	44.0	24.3

** WLTP figures shown are for comparison purposes and should only be compared to the fuel consumption and CO₂ values of other vans tested to the same technical standard. The fuel consumption achieved, and CO₂ produced, in real world conditions will depend upon a number of

factors including, but not limited to: the accessories fitted (pre and post registration); variations in weather; driving styles and vehicle load. The WLTP (Worldwide Harmonised Light Vehicles Test Procedure) is used to measure fuel consumption and CO₂ figures. The CO₂ figures display a

range to reflect the highest value for the highest emitting version with all available options added, through to a minimum value to represent the lowest emitting version in standard specification.

Weights and loads

		Gross Vehicle Weight (GVW)	Mass in Running Order (MIRO)	Kerb weight	Maximum indicative payload	Max plated front axle ⁽¹⁾	Max plated rear axle ⁽¹⁾	Gross Train Weight (GTW)	Max. braked towing weight	Max. unbraked towing weight	Max. towball weight	Number of Seats
Panel Van Enterprise Electric												
L3H2	è-Relay Panel Van L3H2 35 110kWh Enterprise	3500	2865	2790	710	2100	2400	5500	2400	750	100	3
L3H2	è-Relay Panel Van L3H2 40 110kWh Enterprise	4250	2865	2790	1460	2100	2400	5500	2400	750	100	3
L3H3	è-Relay Panel Van L3H3 40 110kWh Enterprise	4250	2890	2815	1435	2100	2400	5500	2400	750	100	3
L4H2	è-Relay Panel Van L4H2 40 110kWh Enterprise	4250	2910	2835	1415	2100	2400	5500	2400	750	100	3
L4H3	è-Relay Panel Van L4H3 40 110kWh Enterprise	4250	2940	2865	1385	2100	2400	5500	2400	750	100	3
Panel Van Enterprise												
L2H1	Relay Panel Van L2H1 35 BlueHDi 140 S&S 6-speed Manual Enterprise	3500	2075	2000	1500	1880	2000	6000	2500	750	100	3
L2H2	Relay Panel Van L2H2 35 BlueHDi 140 S&S 6-speed Manual Enterprise	3500	2100	2025	1475	1880	2000	6000	2500	750	100	3
L2H2	Relay Panel Van L2H2 35 BlueHDi 140 S&S EAT8 Auto Enterprise	3500	2160	2085	1415	1960	2000	6000	2500	750	100	3
L3H2	Relay Panel Van L3H2 35 BlueHDi 140 S&S 6-speed Manual Enterprise	3500	2150	2075	1425	1880	2000	6000	2500	750	100	3
L3H2	Relay Panel Van L3H2 35 BlueHDi 140 S&S EAT8 Auto Enterprise	3500	2210	2135	1365	1960	2000	6000	2500	750	100	3
L3H3	Relay Panel Van L3H3 35 BlueHDi 140 S&S 6-speed Manual Enterprise	3500	2175	2100	1400	1880	2000	6000	2500	750	100	3
L3H2	Relay Panel Van L3H2 35 Heavy BlueHDi 140 S&S 6-speed Manual Enterprise	3500	2190	2190	1310	2100	2400	6500	3000	750	120	3
L4H2	Relay Panel Van L4H2 35 Heavy BlueHDi 140 S&S 6-speed Manual Enterprise	3500	2235	2235	1265	2100	2400	6500	3000	750	120	3
L4H3	Relay Panel Van L4H3 35 Heavy BlueHDi 140 S&S 6-speed Manual Enterprise	3500	2265	2265	1235	2100	2400	6500	3000	750	120	3
L4H2	Relay Panel Van L4H2 40 Heavy BlueHDi 180 S&S EAT8 Auto Enterprise	4250	2295	2220	2030	2100	2400	6500	2250	750	100	3
Window Van Enterprise												
L4H2	è-Relay Window Van L4H2 40 110kWh Enterprise	4250	2910	2835	1415	2100	2400	5500	2400	750	100	3
L3H2	Relay Window Van L3H2 35 BlueHDi 140 S&S 6-speed Manual Enterprise	3500	2150	2075	1425	1880	2000	6000	2500	750	100	3
L4H2	Relay Window Van L4H2 40 Heavy BlueHDi 140 S&S 6-speed Manual Enterprise	4250	2275	2200	2050	2100	2400	6500	2250	750	100	3
L4H2	Relay Window Van L4H2 40 Heavy BlueHDi 180 S&S 8-speed Auto Enterprise	4250	2210	2135	2115	2100	2400	6500	3000	750	100	3
Chassis Cab Enterprise												
L3H1	è-Relay Chassis Cab L3H1 40 110kWh Enterprise	4250	2555	2480	1770	2100	2400	5500	2400	750	100	3
L2H1	Relay Chassis Cab L2H1 35 BlueHDi 140 S&S 6-speed Manual Enterprise	3500	1840	1765	1735	1850	2000	6000	2500	750	100	3
L3H1	Relay Chassis Cab L3H1 35 BlueHDi 140 S&S 6-speed Manual Enterprise	3500	1860	1785	1715	1850	2000	6000	2500	750	100	3
L3H1	Relay Chassis Cab L3H1 35 BlueHDi 140 S&S 8-speed Auto Enterprise	3500	1920	1845	1655	1960	2000	6000	2500	750	100	3
L2H1	Relay Chassis Cab L2H1 35 Heavy BlueHDi 140 S&S 6-speed Manual Enterprise	3500	1880	1805	1695	2100	2400	6500	3000	750	120	3
L3H1	Relay Chassis Cab L3H1 35 Heavy BlueHDi 140 S&S 6-speed Manual Enterprise	3500	1900	1825	1675	2100	2400	6500	3000	750	120	3
Chassis Crew Cab Enterprise												
L3H1	Relay Chassis Crew Cab L3H1 35 Heavy BlueHDi 140 S&S 6-speed Manual Enterprise	3500	2115	2040	1460	2100	2400	6500	3000	750	120	7
Floor Cab Enterprise												
L3H1	Relay Floor Cab L3H1 35 BlueHDi 140 S&S 6-speed Manual Enterprise	3500	1835	1760	1740	1850	2000	6000	2500	750	100	3
L3H1	Relay Floor Cab L3H1 35 Heavy BlueHDi 140 S&S 6-speed Manual Enterprise	3500	1875	1800	1700	2100	2400	6500	3000	750	120	3
Dropside Enterprise												
L3H1	Relay Dropside L3H1 35 BlueHDi 140 S&S 6-speed Manual Enterprise	3500	2100	2025	1475	1880	2000	6000	2500	750	100	3
L4H1	Relay Dropside L4H1 35 Heavy BlueHDi 140 S&S 6-speed Manual Enterprise	3500	2100	2025	1475	1880	2000	6000	2500	750	120	3
Dropside Double Cab Enterprise												
L3H1	Relay Dropside L3H1 35 BlueHDi 140 S&S 6-speed Manual Enterprise	3500	2285	2210	1290	2100	2400	6500	3000	750	120	
Tipper Enterprise												
L2H1	Relay Tipper L2H1 435 BlueHDi 140 S&S 6-speed Manual Professional	3500	2430	2355	1145	2100	2400	6000	3000	750	120	3

All figures in KG unless stated.

(1) Within limits of GVW.

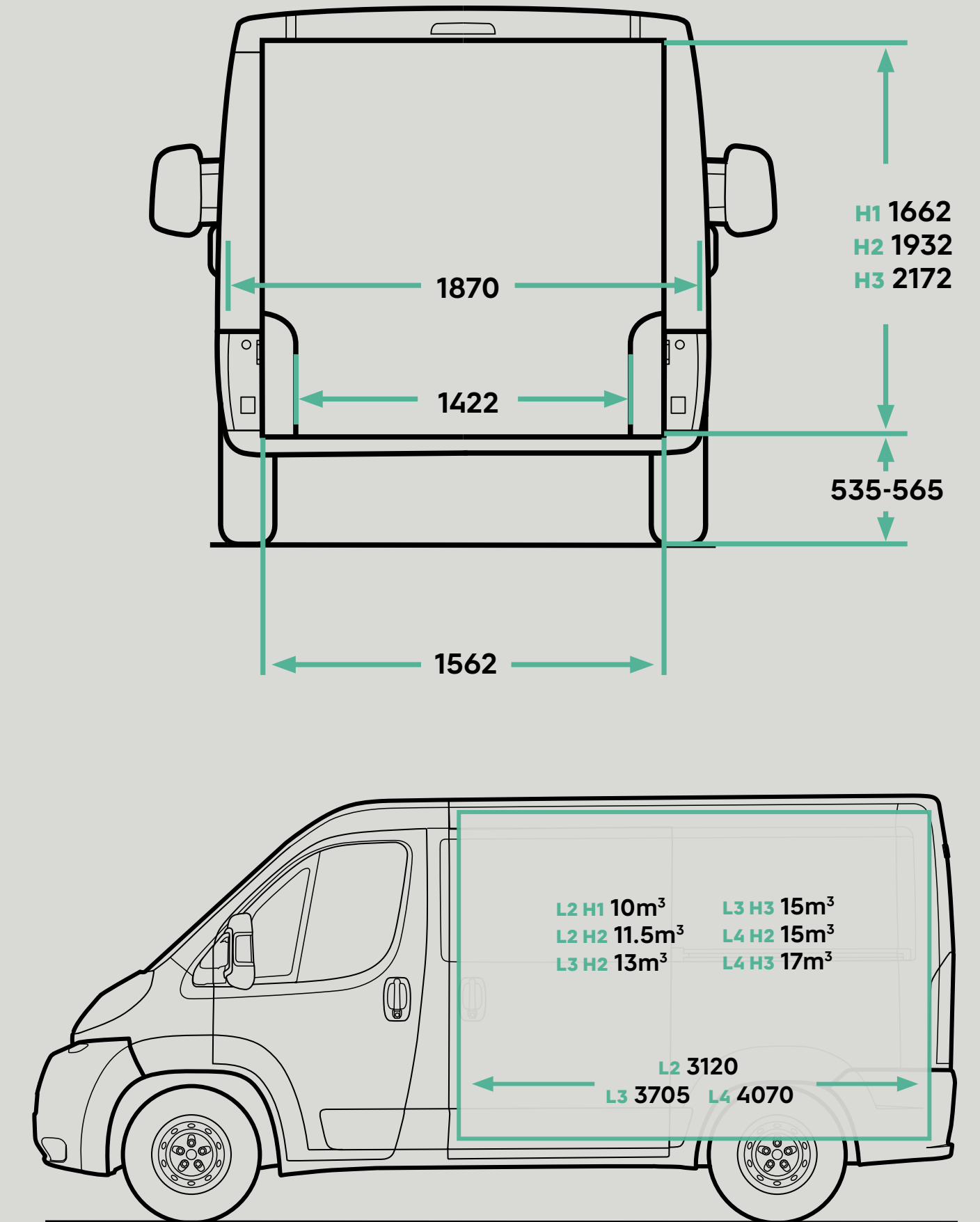
Dimensions

Exterior Dimensions	L2		L3		L4		
	(mm)	H1	H2	H2	H3	H2	H3
Wheelbase		3450		4035		4035	
Length		5413		5998		6363	
Height		2254	2522	2522	2760	2522	2760
Width (excluding door mirrors)		2050		2050		2050	
Front overhang		948		948		948	
Rear overhang		1015		1015		1380	
Side door width		1250		1250		1250	
Side door height		1485	1755	1755		1755	
Rear doors width		1562		1562		1562	
Rear doors height		1520	1790	1790	2030	1790	2030

Interior Dimensions	L2		L3		L4		
	(mm)	H1	H2	H2	H3	H2	H3
Volume (m3)		10	11.5	13	15	15	17
Load length at floor		3120		3705		4070	
Load length at mid-height with bulkhead		2914		3555		3920	
Load width (maximum)		1870		1870		1870	
Load width between wheel arches		1422		1422		1422	
Load height (maximum)		1662	1932	1932	2172	1932	2172
Load sill height		535-565		535-565		535-565	

Chassis Cab Dimensions (mm)				
Version	L2H1	L3H1	Chassis Cab	Floor Cab
Wheelbase	3450	4035	4035	4035
Length	5358	5943	5843	5963
Height	2254	2254	2254	2254
Width (excl. door mirrors)	2050	2050	2050	2050
Front overhang	948	948	948	948
Rear overhang	960	960	860	980

Conversions Dimensions (mm)				
Version	L3H1 Dropside	L4H1 Dropside	L3H1 Double Cab Dropside	L2H1 Tipper
Wheelbase	4035	4035	4035	3450
Length	6328	6693	6228	5742
Height	2376	2376	2376	2376
Width (excl. door mirrors)	2100	2100	2100	2100
Front overhang	948	948	948	948
Rear overhang	1345	1710	1245	1344
External body length	3895	4260	2950	3150
Internal body length	3835	4200	2890	3040
External body width	2100	2100	2100	2100
Internal body width	2040	2040	2040	2027



Factory conversions

Dropside



The Relay dropside features an open platform with fold down side panels to make loading and unloading of goods effortless.

- Frame and cross-members in powder coated high-strength steel.
- Plywood load floor (12mm thick) with non-slip and scratch resistant resin coating.
- 400mm high and 25mm thick anodised aluminium removable side and rear panels with recessed hinges. Edge profiled for tarpaulin fixation.
- Integrated cabin protection made from powder coated high-strength steel with perforations to improve driver's visibility. Two lateral lashing rings.
- Integrated lashing rings on load floor (conforming to EN 12640 standards) secured with rubber plugs to avoid vibration.
- Rear plastic mudguards.

Tipper



The Relay tipper has an open platform that can be easily lifted to dump out the load. Our factory converted tipper is a one-way design.

- Frame and cross-members in powder coated high-strength steel.
- Load floor made from powder coated high-strength steel, with "curved protection" at the rear which helps guide the flow of transported material as well as providing additional structural strength when loading and unloading.
- 400mm high anodised aluminium opening (180°) side panels and tipping pins with self-lubricating hinges and integrated roping hooks.
- Tailboard features dual-mode hinge enabling both tip-through and tip-over functions. Rear pillars are made from high-strength steel and feature a patented locking mechanism.
- Tipping angle of 45° with lifting time of 30-40 seconds.
- Integrated cabin protection made from powder coated high-strength steel with perforations to improve driver's visibility.
- Non-protruding 4-stage telescopic cylinder hydraulic ram. Control unit features anti-foam system for maximum tipping capability. 12-Volt System compliant to 2006/42/EC and 2009/19/EC with a pressure of 120 bar to limit overloading.
- Six integrated load lashing rings resistant to 800 daN.
- Rear plastic mudguards.

Glossary of terms

Plated weight

The maximum weight to which a vehicle or an axle may be loaded, determined either by the design of the components or by legislation. All commercial vehicles must carry a manufacturer's 'plate' showing the vehicle and axle gross 'plated weights'. It is an offence to drive a vehicle in a condition where any of these weights are exceeded.

Kerb Weight

The Minimum Mass minus the driver's weight. When Kerb Weight used, driver weight is included within the Maximum Indicative Payload weight.

Minimum Mass

Minimum Mass ('Mass in running order' on Certificate of Conformity and 'Mass in Service' on V5C form) is defined according to European Type Approval and include all fluids, tools and 90% fuel load/EV battery. It is minimum mass for this variant and does not consider local specification/trim or deletable options (specific to Relay). Weights are also subject to manufacturing tolerances (EU Legislation allows 5% tolerance).

Gross Vehicle Weight (GVW)

The total permissible weight of a vehicle including payload and passengers, as shown on the manufacturer's plate.

Gross Combination Weight (GCW)

The maximum permissible weight of a vehicle, including payload and passengers, combined with the total weight of any trailer it is towing. The maximum GCW weight limit is quoted on the vehicle plate and must not be exceeded.

Payload

The total permissible weight that can be carried without exceeding the vehicle's plated weight. Payload do not include driver but do take into consideration specification/trim level: Weights are also subject to manufacturing tolerances (EU Legislation allows 5% tolerance). Payload does not consider any additional options that a customer may order.

Roof loads

Roof load should not exceed 100kg including the weight of the roof rack/carrier

Maximum towing weight

The maximum weight of any trailer and its load which may be towed within the limit of the vehicle's plated Gross Combination Weight (GCW). It is based on the ability of the vehicle – at full GCW – to restart on a 12% gradient, which is approximately 1 in 8.3, at sea level. At altitudes above 1500 metres, the engine output may drop with a corresponding reduction in towing capability. It is the operator's responsibility to ensure that the trailer noseweight does not cause the rear axle plated weight of the towing vehicle to be exceeded.

Always fit Citroën towing attachments and accessories available from your Citroën Commercial Vehicle Retailer. They are designed specifically for Citroën models and carry a 12-month warranty.

Commercial Vehicle Categories

Differences between N1 and N2 (Vehicles with GVW above 3500kg)

Category N: Goods vehicles

Category N1: Vehicles designed and constructed for the carriage of goods and having a maximum mass not exceeding 3.5 tonnes.

Category N2: Vehicles designed and constructed for the carriage of goods and having a maximum mass exceeding 3.5 tonnes but not exceeding 12 tonnes.

Specific differences: N2 vehicles are legally required to be speed limited at 56mph, and have a tachograph

NEW CITROËN È-RELAY & RELAY

Citroën & You

A network of Citroën Van Retailers, Authorised Repairers and Parts Distributors are equipped and trained to meet the needs of today's Citroën customer.

Retailers can offer advice on vehicle funding; via Leasys with packages such as Contract Hire, Finance Lease or Lease Purchase for Business Users, or via Citroën Financial Services with Hire Purchase or Citroën Personal Contract Purchase for Retail buyers.

In addition Authorised Repairers have a team of technicians skilled in the care and maintenance of Citroën products.

Delivery and number plates

There is a standard charge for delivery with number plates as follows:

Citroën Berlingo & Berlingo Van, Dispatch and Relay: **£1,074.17 exc. V.A.T. (£1,289 inc. V.A.T.)**

These prices are exclusive of Vehicle Excise Duty and the Government First Registration Fee. Where delivery is not made to the customer at the Retailer's premises, a further charge may be made at the Retailer's discretion.

Vehicle Excise Duty

V.E.D. rate for all commercial vehicles up to and including 3,500kg G.V.W.: **£345**

V.E.D. rate for all commercial vehicles above 3,500kg G.V.W.: **£171**

Vehicle conversions

Conversions of vehicles supplied by Citroën UK are carried out by independent companies to suit the needs of individual customers. In all cases, the converter company is responsible for:

- Ensuring that the converted vehicle conforms to all legislation in force at the time
- The suitability of the conversion carried out, in agreement with the customer
- The quality of design and workmanship of the conversion
- Claims under guarantee relating to the conversion

Citroën UK Ltd does not accept any liability whatsoever and howsoever incurred in respect of the works carried out by such independent companies, and customers must assure themselves of the suitability, quality and legal conformity of such conversion works.

Citroën Fleet and Business sales

All Citroën New Van Retailers are dedicated to meeting the specialist needs of both the fleet and business buyer. Their comprehensive service can include advice on important business vehicle decisions, such as alternative acquisition methods, disposal of existing vans, priority servicing and much more. In short, their expertise aims to provide a 'total transport solution' for all your fleet or business vehicle needs.

For more information on Citroën fleet and business sales please contact your local Citroën Retailer or [click here](#)

Leasys

Leasys is the proud Business Contract Hire partner of Citroën and consequently, can provide quick vehicle delivery to keep your business mobile.

Specialised in Medium to Long-Term Leasing options and Fleet Management solutions for businesses of all sizes, Leasys lead mobility by offering sustainable and innovative solutions designed around customers, for a best-in-class experience. Their team of experts can personally support you and provide dedicated consultation.

Leasys is equally owned by Stellantis and Crédit Agricole Consumer Finance and is a member of the British Vehicle Rental and Leasing Association (BVRLA).

For further information, please contact your local Citroën Retailer or [Click here](#).

Comprehensive Warranty

Every new Citroën van offers the benefit of a three year* warranty package, plus a five year anti-perforation** warranty and a two year paint warranty.

In addition, the è-Berlingo, è-Dispatch and è-Relay offer a manufacturer's battery warranty of eight years/100,000 miles up to 70% charging capacity.

* Two years' unlimited mileage manufacturer's warranty. No-fee customer option of one year's Retailer provided warranty, only on vehicles sourced from Citroën UK Limited. Note: Retailer provided warranty is limited to 100,000 miles for all commercial vehicles including motorhomes and other converted vehicles.

** Against all internal to external perforation to bodywork or underbody on condition the van undergoes an inspection by a Citroën franchised Retailer on its second and fourth anniversaries.

Citroën Assistance

In response to a free telephone call in the UK, Citroën Assistance brings rapid expert roadside assistance to you in an emergency.

It comes free of charge for a full year, from date of vehicle registration, and operates 24 hours a day in all parts of the UK and Europe. Services include nationwide recovery for both van and passengers, a home call service, replacement vehicle, hotel accommodation and vehicle storage if required. You can also purchase additional Citroën Assistance via your local Citroën Retailer at any time. Please note, Citroën Assistance only applies to incidents covered by the new vehicle warranty, and excludes non-vehicle faults, such as running out of fuel, mis-fuelling, loss of keys, lock-ins, road traffic accidents and punctures/wheel changes.

è-Berlingo, è-Dispatch and è-Relay comes with a free of charge three year Citroën Assistance starting from the date of registration.

For more details please [click here](#)

Servicing

Available up to one year from your vehicle's registration date, but before its first chargeable service, a Citroën Servicing package enables you to pay in advance for:

- Scheduled Servicing†
- Annual Service(s)† for vehicles with a two year service plan
- Brake Fluid Replacement†

This package can be personalised depending on your needs, with options ranging from 12 to 60 months and 10,000 to 100,000 miles.

† As outlined in your vehicle's Maintenance & Warranty Guide.

Maintenance

For a single fee or low monthly payments, you can put yourself in control of your maintenance costs. Depending on your needs, you can choose from a package that covers you between 12 and 48 months and between 10,000 and 150,000 miles and provides you with:

- Scheduled Servicing†
- Periodic Maintenance†
- Wear and Tear Cover – The replacement of friction materials such as brake pads, discs, wiper blades, clutch and other such items needed to keep you and your vehicle on the move
- Citroën Assistance, provided by the AA, includes: Roadside & At Home Assistance, Recovery, Onward Travel and European Cover

- MOT test fees

Why not add the following option to your chosen package:

- Replacement of worn tyres, including wheel balancing (includes puncture repairs)
- Replacement vehicle whilst yours is being serviced or MOT'd

Rest assured that all Maintenance and Servicing work will be carried out by qualified Citroën Technicians at any Citroën Authorised Repairer within the UK, using only Citroën Original Equipment and Approved Parts.

For further information, please contact your Citroën Retailer.

Citroën Motor Insurance

Citroën Insurance has been designed specifically for our vehicles. You don't just get repairs you get Citroën expertise, service, quality and parts. You see, where other insurers see a vehicle, we see a Citroën.

So, when the time comes to renew your insurance cover, call Citroën Insurance on 0370 024 2725. (Lines open 8am-8pm weekdays, 9am-5pm Saturdays)

Alternatively, visit www.citroen.co.uk for more information or to apply online.

Citroën Insurance policies are underwritten by U K Insurance Limited, Registered office: The Wharf, Neville Street, Leeds, LS1 4AZ. Registered in England & Wales No. 1179980. U K Insurance Limited is authorised by the Prudential Regulation Authority and regulated by the Financial Conduct Authority and the Prudential Regulation Authority. Citroën Insurance is a trading style of PSA Finance UK Limited (company registration number: 01024322) having its registered office at 61 London Road, Redhill, Surrey, RH1 1QA.

Internet

[Click here](#) to visit the Citroën Website for full information on all Citroën products and offers available in the UK, together with details of our environmental and recycling policies. Or [click here](#) to contact Citroën directly. Alternatively, for further information, please contact your Citroën Retailer.

Citroën Connected Services

Vehicles equipped with the Citroën Connect box have an embedded SIM card.

This means that as well as safety features, Citroën drivers can subscribe to a range of connected services:

- Real Time Traffic and Speedcam alerts: with live data to enhance the Citroën Connect Nav system
- Remote access to lock or unlock the vehicle's doors from a smartphone
- E-remote Control: remote management of electric vehicle charging and temperature
- And much more!

Service availability depends on the hardware fitted on each vehicle. For more information [click here](#).

CITROËN



To find out more
visit citroen.co.uk



To find out more about Motability,
please contact your local retailer or
[click here](#)

Citroën UK Ltd. Pinley House, 2 Sunbeam Way, Coventry CV3 1ND.

NOTE: Every endeavour has been made to ensure that the information, including prices, contained in this leaflet was accurate at the time of publishing April 2025. The Company however, reserves the right, whilst preserving the essential characteristics of the models described, to introduce at any time modifications, changes of details, equipment or accessories as may be considered necessary to improve the models described or for any other reason of a constructional or operational nature.

CITROËN PREFERRED TotalEnergies